



**FL5.1LT**  
**Bucket technical characteristics**

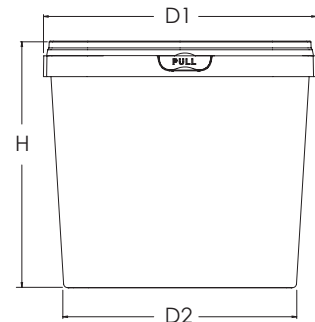
**Dimensions**

D1: 243 mm

D2: 211 mm

H: 155 mm *without the lid*

*Deviation ±1mm*



<b>Other elements</b>	Capacity (LT)	Volume to rim 4.600 LT	Brim full volume 5.650T
	Net weight / Deviation (±2.5%)	152gr	
	Handle	Plastic	Weight 9 gr
	Buckets packaging	Pallet 900 pcs or 1.200 pcs	
	Decoration	IML Label 703X131 mm	Dry Offset 685X110 mm
	Packaging	5 Vertically	

**Lid technical characteristics**

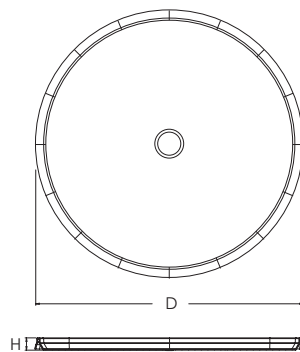
**FL5.1LT**

**Dimensions**

D: 242.02 mm

H: 14.3 mm

*Deviation ±1mm*



**Lid technical characteristics**

**FL5.1LT FOIL**

**Dimensions**

D: 241 mm

H: 24 mm

*Deviation ±1mm*



<b>Other elements</b>	Lid weight (gr) Deviation (±2.5%)	60 gr (FL 5.1LT(x2))	62 gr (FL 5.1LT FOIL)
	Lid packaging	Pallet 2.250 pcs or 3.000 pcs	
	Decoration	Dry Offset Ø 120mm	

**USEFUL STORAGE INFORMATION:** To preserve the quality of this product, it is recommended that it be stored in its original packaging, away from any source of local heat and moisture, away from direct sunlight (below 30°C) and dry conditions. It is recommended that the product be allowed to reach operating temperature 24 hours before use.

RAW MATERIAL: Polypropylene (PP)

